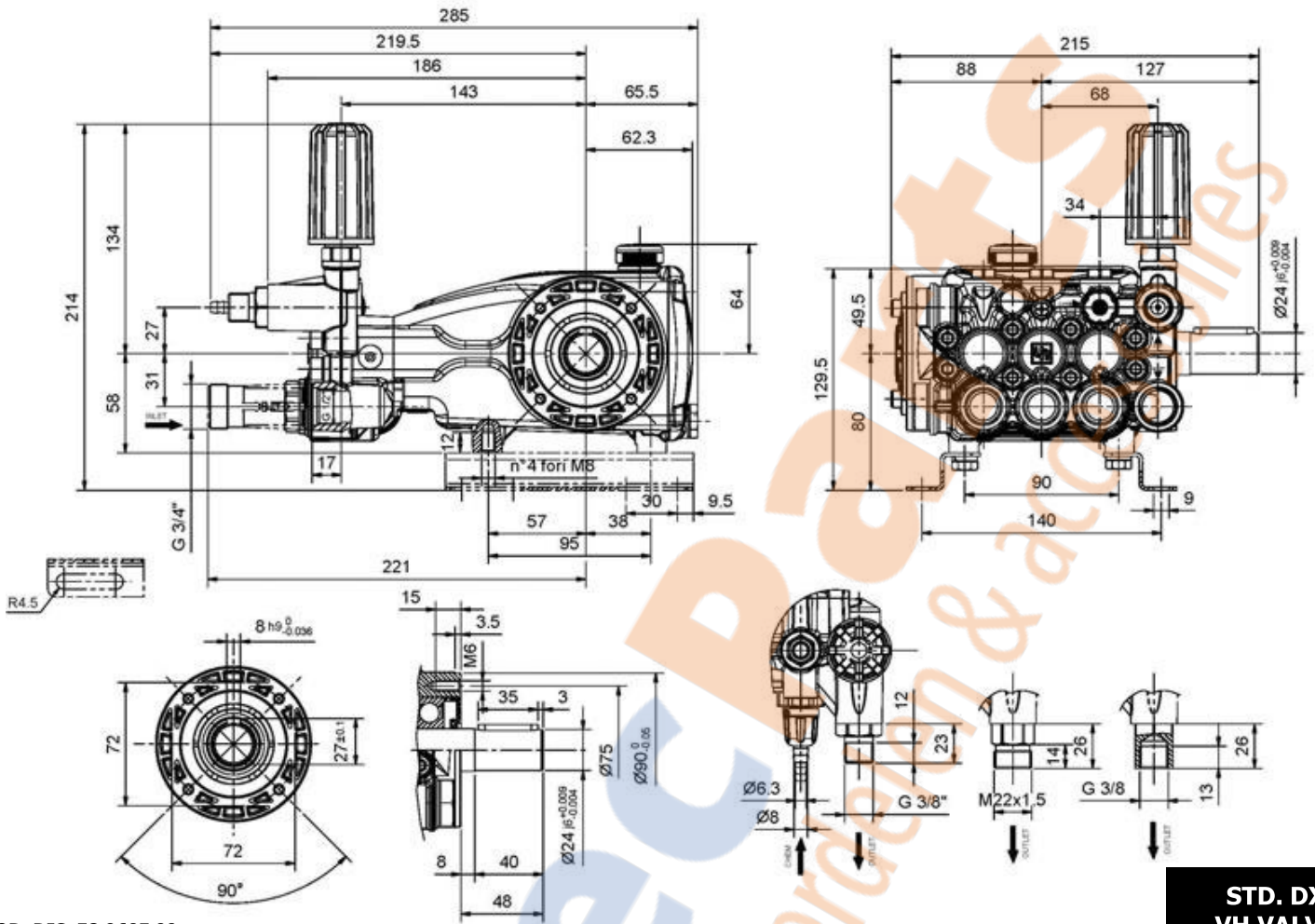


**DIMENSIONI D'INGOMBRO – OVERALL DIMENSIONS – DIMENSIONS D'ENCOMBREMENT
RAUMBEDARF – DIMENSIONES TOTALES – DIMENSÕES**



COD. DIS. 58.9605.00

**STD. DX
VH VALVE**

COD. DIS. 58.9606.00

**A – DX
VH VALVE**

